

TAMPER-RESISTANT WALL BOX - 8 FIBRE LC DUPLEX ADAPTORS

This range of tamper-resistant wall boxes can be supplied pre-loaded with adaptors to ensure the installation is fast, secure and can be easy wall mounted.

FEATURES & BENEFITS

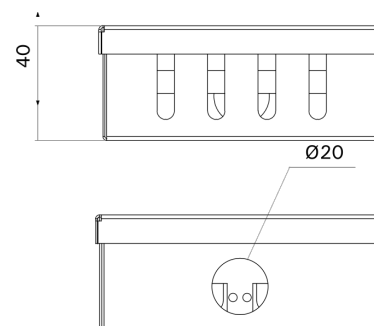
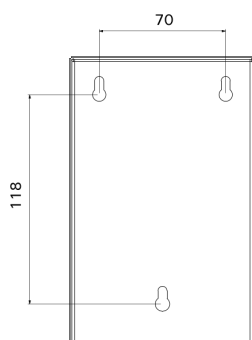
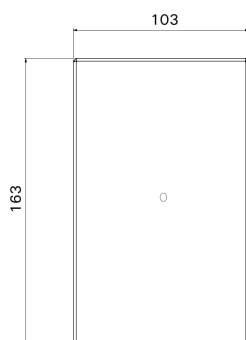
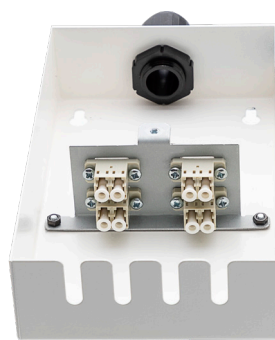
- Interchangeable internal adapter plates
- Tamper resistant connections
- 1x 20mm gland hole
- Up to 8 fibres

APPLICATIONS

- Internal application
- Telecommunications networks
- For use in multi dwelling units or demarcation points in a network

SCOPE OF SUPPLY

- 4 x LC duplex adaptors
- 1 x 20mm gland



All dimensions in mm

TECHNICAL SPECIFICATIONS

Length	163mm	Cable Entry	1 x 20mm
Width	103mm	Material	Cold Rolled Steel
Depth	40mm	Material Thickness	1.2mm
Weight	0.6kg	Colour	RAL 9010
Adaptor Type	LC Duplex	Operating Temperature	-40°C to + 60°C

PART NUMBERS

TPBSBLCD504	LC Duplex Singlemode
TPBSBLCDM04	LC Duplex Multimode

Also Available ...Pigtails, Splice Protectors, Splice Bridge, Bunny Clips, Patch Leads, Fibre Cleaning Accessories



Certificate No 10142
ISO 9001

VER0918B